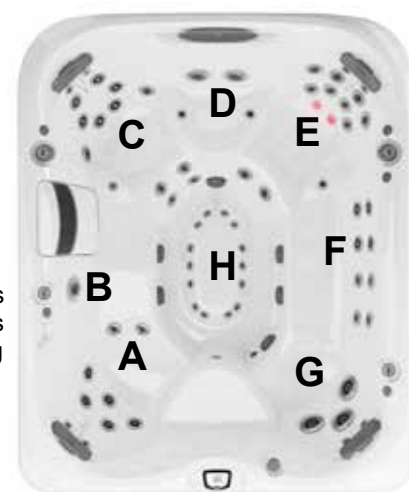


# Jacuzzi J-495

## Specifications

<b>Seating Capacity</b> .....	8-9 Adults
<b>Dimensions</b> .....	91" x 110" x 37.5" Front/43.5" Back, (231.1 cm x 279.4 cm x 95.25 cm Front/110.5 cm Back); <b>For complete dimensions, See page 79</b>
<b>Perimeter</b> .....	402 in. (1021.1 cm)
<b>Dry Weight</b> .....	1,091 lbs (495 kg)
<b>Filled Weight (Spa Volume)</b> .....	6,679 lbs (3,030 kg)
<b>Filled Weight (Average Fill)</b> .....	5,261 lbs (2,386 kg)
<b>Water Capacity (Spa Volume)</b> .....	670 US gallons (2,536 Liters)
<b>Water Capacity (Average Fill)</b> .....	500 US gallons (1,893 Liters)
<b>Electronic Controls</b> .....	ProTouch™ 2 LCD control panel, user interface displays temperature, time, cycles and fingertip jet control. Offers customizing of pre-programmed filtration cycles, heating modes and water temperature setting.
<b>Pump 1</b> .....	North America (60 Hz): 1-Speed, 5.1 HP break, 2.5 HP continuous, 56 Frame
<b>Export (50 Hz):</b> .....	<b>1-Speed, 2.0 HP continuous</b>
<b>Pump 2</b> .....	North America (60 Hz): 1-Speed, 5.1 HP break, 2.5 HP continuous, 56 Frame
<b>Export (50 Hz):</b> .....	<b>1-Speed, 2.0 HP continuous</b>
<b>Pump 3</b> .....	North America (60 Hz): 1-Speed, 5.1 HP break, 2.5 HP continuous, 56 Frame
<b>Export (50 Hz):</b> .....	<b>1-Speed, 2.0 HP continuous</b>
<b>Circulation Pump</b> .....	Yes, 8-Hour
<b>Total PowerPro® Jets</b> .....	69 (plus 2 IR Light Therapy)
<b>Seat A Jets</b> .....	2 PowerPro® NX2, 2 PowerPro® FX, 5 PowerPro® RX
<b>Seat B Jets</b> .....	1 PowerPro® FX Large Rotational
<b>Seat C Jets</b> .....	2 PowerPro® NX2, 6 PowerPro® RX, 2 PowerPro® FX Directional, 2 PowerPro® PX, 4 PowerPro® FX
<b>Seat D Jets</b> .....	2 PowerPro® FX Large Rotational
<b>Seat E Jets</b> .....	2 PowerPro® NX2, 4 PowerPro® FX Rotational, 4 PowerPro® FX, 2 IR Light Therapy, 2 PowerPro® PX, 2 PowerPro® FX Directional
<b>Seat F Jets</b> .....	4 PowerPro® FX, 4 PowerPro® RX
<b>Seat G Jet</b> .....	2 PowerPro® NX2, 3 PowerPro® MX
<b>Footwell (H)</b> .....	14 PowerPro® FX Small
<b>Massage Selectors</b> .....	2
<b>Air Controls</b> .....	5
<b>Water Management System</b> .....	One ProClarity® 40 ft <sup>2</sup> filter cartridge and 1 ProClarity® depth load filter on 8-hour circulation pump; one ProCatch® bag with ProClear® 60 ft filter; Floating Weir; Factory installed CLEARARRAY Active Oxygen™ Clean Water System
<b>Export (50 Hz):</b> .....	<b>Factory installed CLEARARRAY Active Oxygen™ Clean Water System</b>
<b>LED Lighting</b> .....	Waterfall light, massage selectors, cupholders, underwater, indicator light, and exterior lights (standard)
<b>ProFinish™ Cabinet Colors</b> .....	Modern Hardwood, Brushed Gray, and Smoked Ebony
<b>Acrylic Colors</b> .....	Platinum, Silver Pearl, Midnight, Monaco, Porcelain
<b>Headrests</b> .....	4
<b>Waterfalls</b> .....	Two with independent flow rate (on or off) adjustment; powered by 8-hour circulation pump
<b>Heater:</b> .....	North America (60 Hz): 5.5 kW, High Flow
<b>Export (50 Hz):</b> .....	<b>High Flow, 2.7 kW</b>
<b>Electrical Requirements:</b> .....	North America (60 Hz): 240 VAC@50A or 60A <b>Export (50 Hz): 220-240 VAC@ 1x32A, 1x40A, 1x32A/1x16A, 3x16A or suitably rated circuit breaker to comply with local electrical codes. Certain countries may require dual power inputs; two GFCI RCD breakers are required for this configuration.</b>
<b>Warranty*</b> .....	North America (60 Hz): 10 Years Shell, 7 Years Shell Surface, 5 Years Plumbing Component Leaks, 5 Years Equipment and Controls, 5 Years Cabinet, 2 Years Jets, 2 Years Lights, 1 Year Stereo; <b>Export (50 Hz): 10 Years Shell, 7 Years Shell Surface, 5 Years Plumbing Component Leaks, 5 Years Equipment and Controls, 5 Years Cabinet, 2 Years Jets, 2 Years Lights, 2 Years Stereo</b>
<b>Special Features (Optional)</b> .....	SmartTub® Module
<b>Audio System (Optional)</b> .....	BLUEWAVE® Spa Stereo System with Bluetooth capability and Aux 3.5 mm headphone jack port; 4 premium speakers, a powered subwoofer

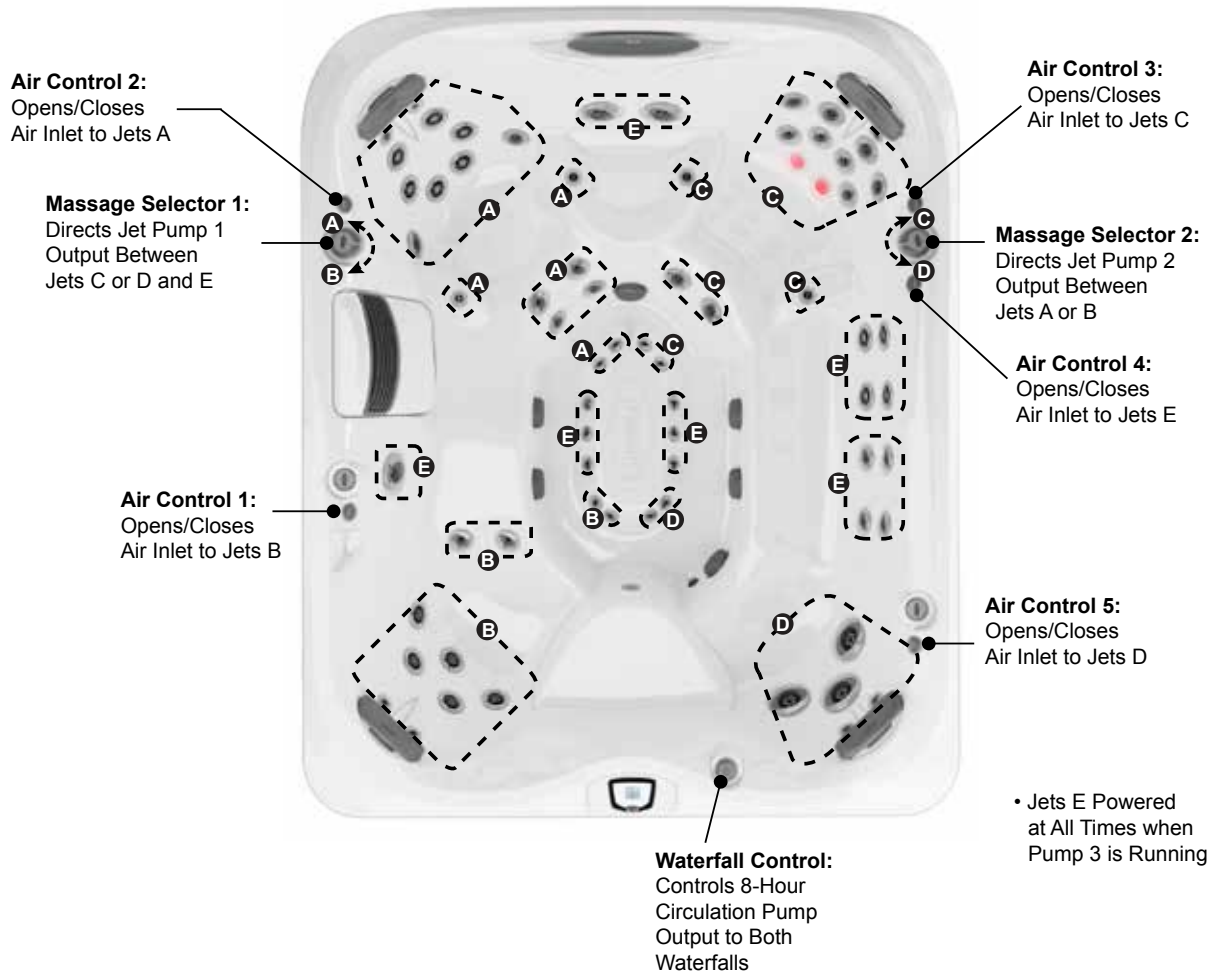


\*(See Warranty Document for Specific Details)

Dimensions/Specifications are Subject to Change Without Notice

# Jacuzzi J-495

## Operation/Seat Depths



### 69 Total Jets (plus 2 IR Light Therapy)



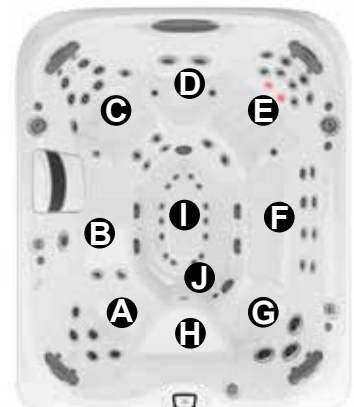
Spa Operation Subject to Change without Notice

## Seat Depths

**A = 27.75" (70.49 cm)**  
**B = 18.75" (47.63 cm)**  
**C = 29.00" (73.66 cm)**  
**D = 19.00" (73.03 cm)**  
**E = 27.00" (68.58 cm)**  
**F = 23.00" (58.42 cm)**

**G = 25.50" (64.77 cm)**  
**H = 17.75" (45.09 cm)**  
**I = 30.75" (78.11 cm)**  
**J = 33.00" (83.82 cm)**

Listed dimensions represent distance from top of acrylic to lowest point in seat. **Tolerance ± 0.5" (1.27 cm).**

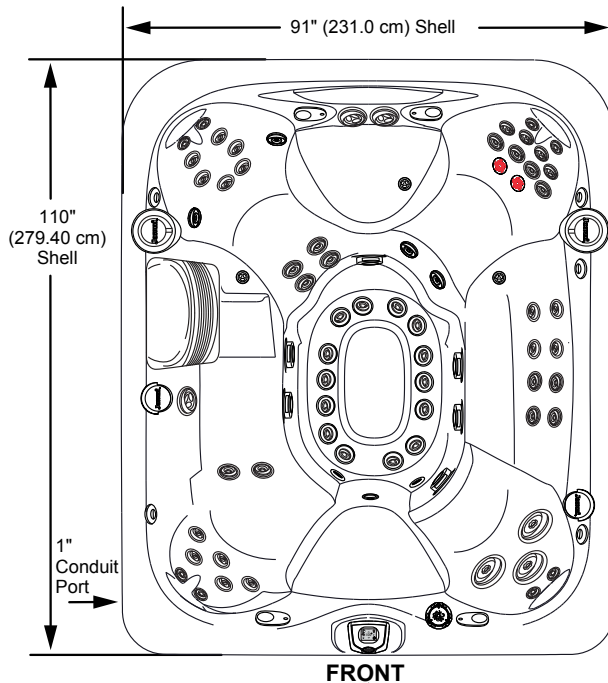


Dimensions/Specifications are Subject to Change Without Notice

# Jacuzzi J-495

## Dimensions

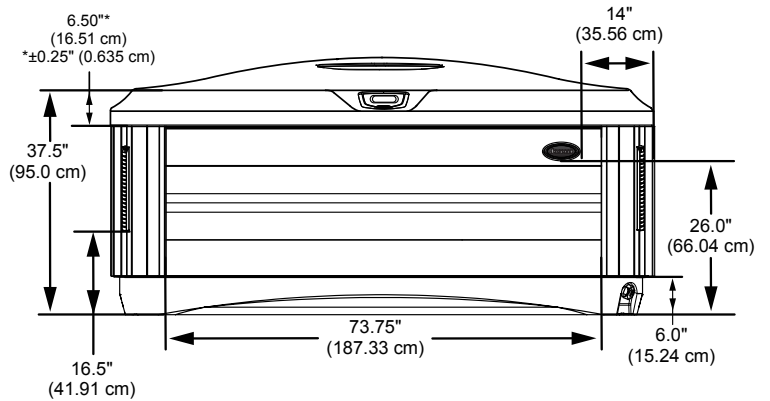
**TOP VIEW**



Equipment Bay/Pump Access  
CLEARRAY, Optional BLUEWAVE®,  
and Optional SmartTub System  
located behind the cabinet

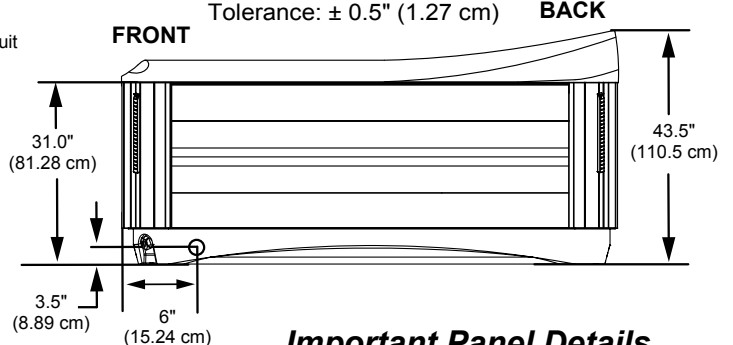
**FRONT VIEW**

Tolerance:  $\pm 0.5"$  (1.27 cm)



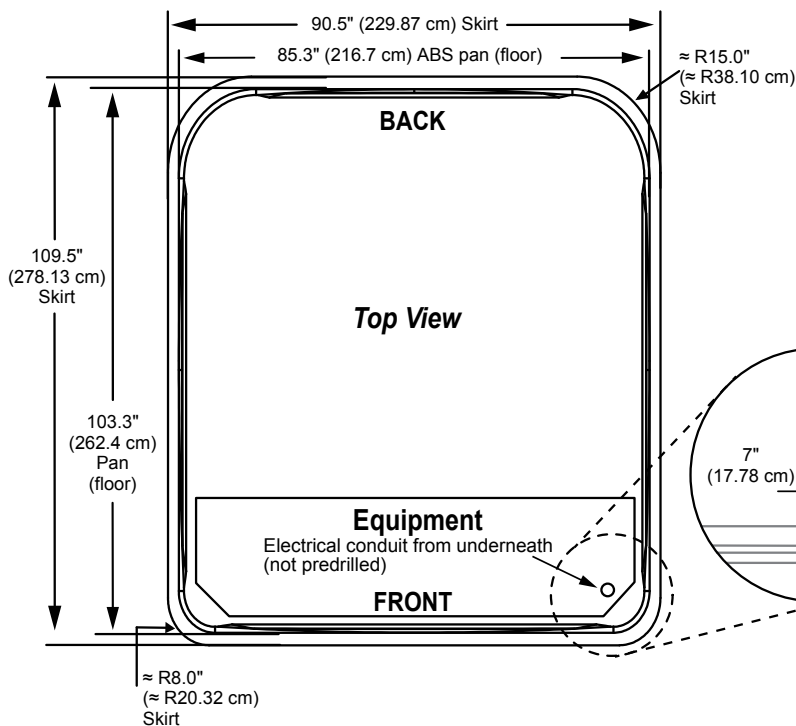
**RIGHT SIDE VIEW**

Tolerance:  $\pm 0.5"$  (1.27 cm)



### Important Panel Details

**NOTE:** Over time the panel(s) may bow, this is considered normal. The panels will straighten out when reinstalled into the mounting channel. Place one end of the panel into the channel first then flatten the panel and insert the other end.



Dimensions/specifications subject to change without notice. Tolerance  $\pm 0.5"$  (1.27 cm)



**IMPORTANT!** Always measure each hot tub for exact dimensions **BEFORE** designing its foundational support and/or decking.

