

Jacuzzi J-445

Specifications

Seating Capacity	6 Adults
Dimensions	84" x 84" x 37.5" Front/43.5" Back, (213.5 cm x 213.5 cm x 95.25 cm Front/110.5 cm Back); For Complete Dimensions, See page 79
Perimeter	336 in. (853.4 cm)
Dry Weight	855 lbs (388 kg)
Filled Weight (Average Fill)	4,024 lbs (1,825 kg)
Water Capacity (Average Fill)	380 US gallons (1,438 Liters)
Filled Weight (Spa Volume)	4,525 lbs (2,052 kg)
Water Capacity (Spa Volume)	440 US gallons (1,666 Liters)
Electronic Controls	ProTouch™ 2 LCD control panel, user interface displays temperature, time, cycles and fingertip jet control. Offers customizing of pre-programmed filtration cycles, heating modes and water temperature setting.
Pump 1	North America (60 Hz): 1-Speed, 5.1 HP break, 2.5 HP continuous, 56 Frame Export (50 Hz):1-Speed, 2.0 HP continuous
Pump 2	North America (60 Hz): 1-Speed, 5.1 HP break, 2.5 HP continuous, 56 Frame Export (50 Hz):1-Speed, 2.0 HP continuous
Circulation Pump	Yes, 8-Hour
Total PowerPro® Jets	43 (plus 2 IR Light Therapy)
Seat A Jets	2 PowerPro® NX2, 3 PowerPro® MX
Seat B Jets	2 PowerPro® RX
Seat C Jets	2 PowerPro® FX, 6 PowerPro® RX, 2 PowerPro® FX Rotational
Seat D Jets	1 PowerPro® FX Large Rotational
Seat E Jets	2 PowerPro® NX2, 4 PowerPro® FX Rotational, 6 PowerPro® FX
Seat F Jets	4 PowerPro® FX, 1 PowerPro® FX Large Rotational, 2 PowerPro® FX Rotational
Footwell (G)	8 PowerPro® FX Small
Massage Selectors	2
Air Controls	4, On/Off rocker switch air controller
Water Management System	One ProClarity® 40 ft ³ filter cartridge and 1 ProClarity® depth load filter on 8-hour circulation pump; one ProCatch® bag with ProClear® 60 ft ³ filter; Floating Weir; Factory installed CLEARARRAY Active Oxygen™ Clean Water System Export (50 Hz):Factory installed CLEARARRAY Active Oxygen™ Clean Water System
LED Lighting	One waterfall with light, one underwater light, cupholders, massage selector lights, indicator light, and exterior lights (standard)
ProFinish™ Cabinet Colors	Modern Hardwood, Brushed Gray, and Smoked Ebony
Acrylic Colors	Platinum, Silver Pearl, Monaco, Midnight, Porcelain
Headrests	4
Waterfall	One with Independent flow rate (on or off) adjustment; powered by 8-hour circulation pump
Heater:	North America (60 Hz): 5.5 kW, High Flow Export (50 Hz):High Flow, 2.7 kW
Electrical Requirements:	North America (60 Hz): 240 VAC@40A, 50A, or 60A Export (50 Hz): 220-240 VAC@ 1x32A, 1x20A/1x16A, or 3x16A or suitably rated circuit breaker to comply with local electrical codes. Certain countries may require dual power inputs; two GFCI RCD breakers are required for this configuration.
Warranty*	North America (60 Hz): 10 Years Shell, 7 Years Shell Surface, 5 Years Plumbing Component Leaks, 5 Years Equipment and Controls, 5 Years Cabinet, 2 Years Jets, 2 Years Lights, 1 Year Stereo Export (50 Hz): 10 Years Shell, 7 Years Shell Surface, 5 Years Plumbing Component Leaks, 5 Years Equipment and Controls, 5 Years Cabinet, 2 Years Jets, 2 Years Lights, 2 Years Stereo
Special Features (Optional)	SmartTub® Module
Audio System (Optional)	BLUEWAVE® Spa Stereo System with Bluetooth capability and Aux 3.5 mm headphone jack port; 4 premium speakers, a powered subwoofer

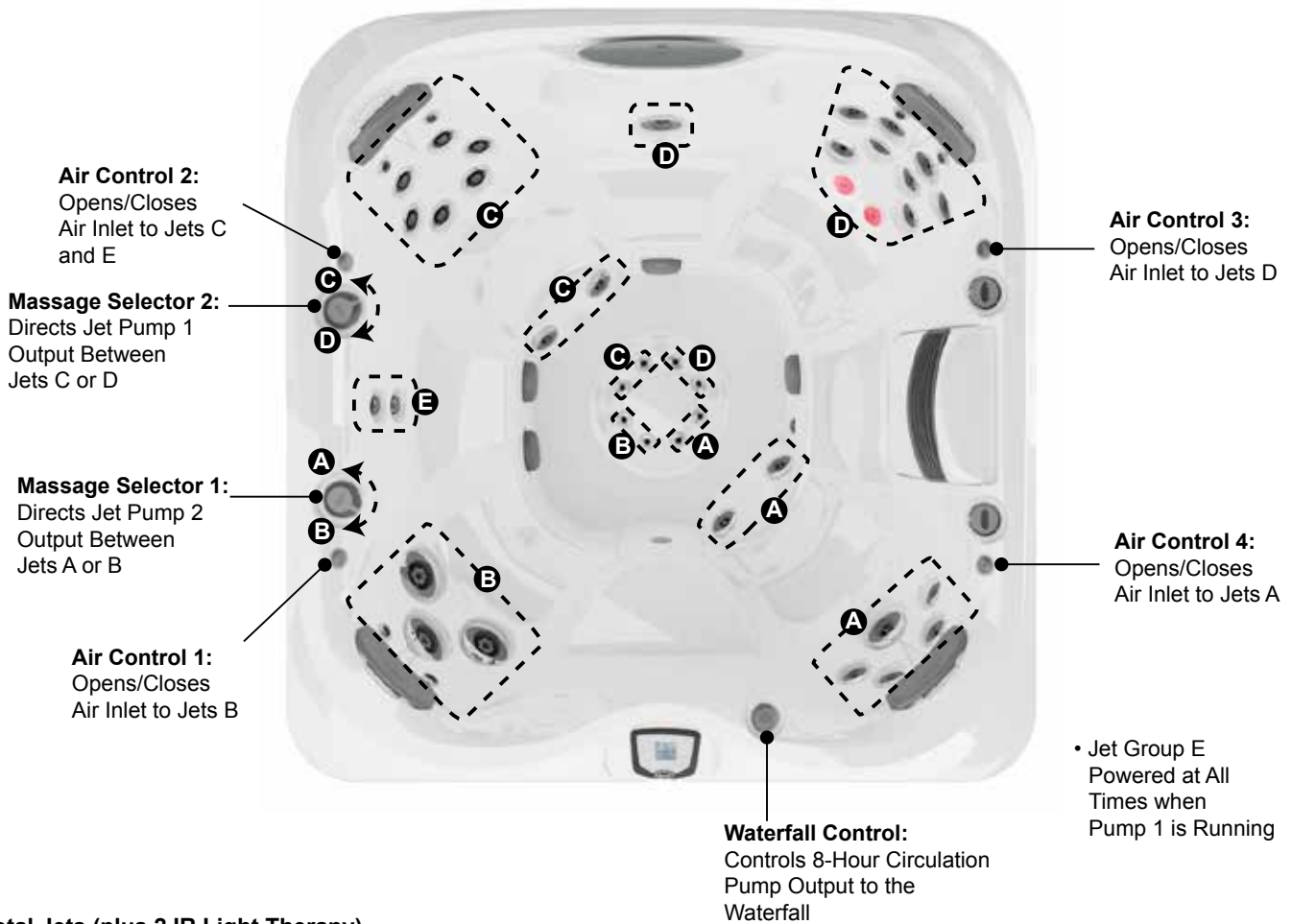


*(See Warranty Document for Specific Details)

Dimensions/Specifications are Subject to Change Without Notice

Jacuzzi J-445

Operation/Seat Depths



43 Total Jets (plus 2 IR Light Therapy)

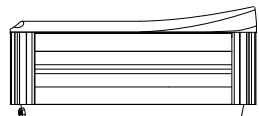


Spa Operation Subject to Change without Notice

Seat Depths

- A = 25.50" (64.77 cm)**
- B = 21.00" (53.34 cm)**
- C = 30.00" (76.20 cm)**
- D = 23.00" (58.42 cm)**
- E = 29.00" (73.66 cm)**
- F = 23.00" (58.42 cm)**

- G = 25.50" (64.77 cm)**
- H = 18.00" (45.72 cm)**
- I = 34.00" (86.36 cm)**



Front Back

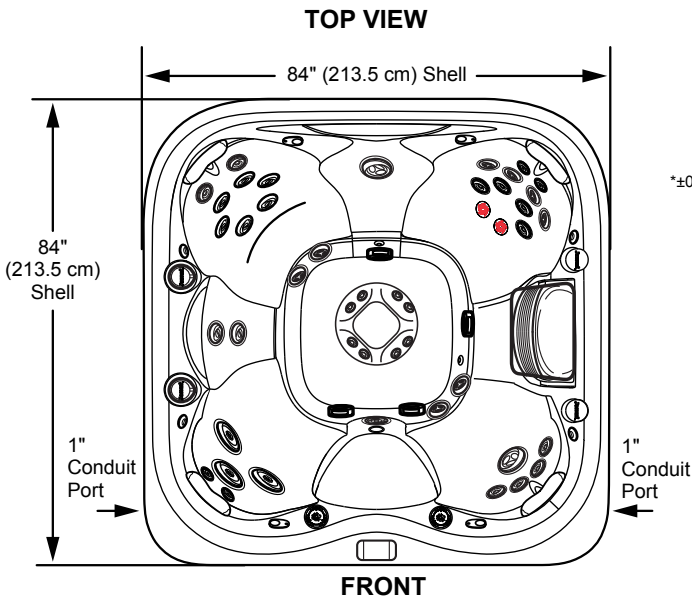
Listed dimensions represent distance from top of acrylic to lowest point in seat. Tolerance $\pm 0.5"$ (1.27 cm).



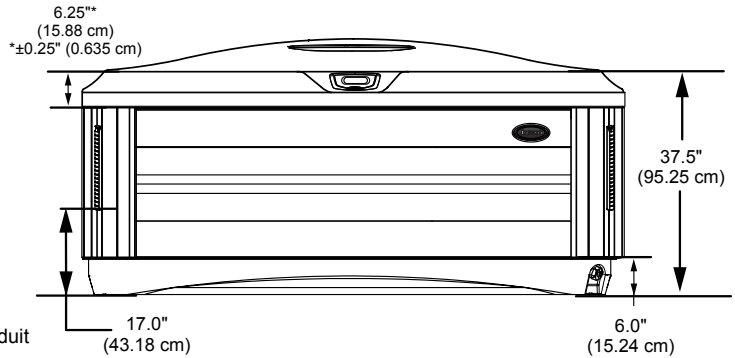
Dimensions/Specifications are Subject to Change Without Notice

Jacuzzi J-445

Dimensions

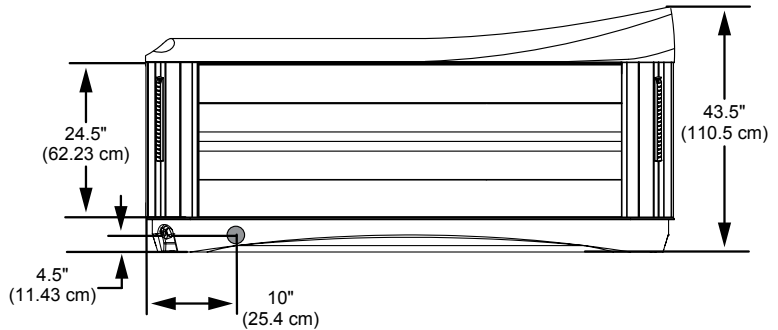


FRONT VIEW
Tolerance: $\pm 0.5"$ (1.27 cm)



Equipment Bay/Pump Access
CLEARRAY, Optional BLUEWAVE®,
and Optional SmartTub System
located behind the cabinet

RIGHT SIDE VIEW
Tolerance: $\pm 0.5"$ (1.27 cm)

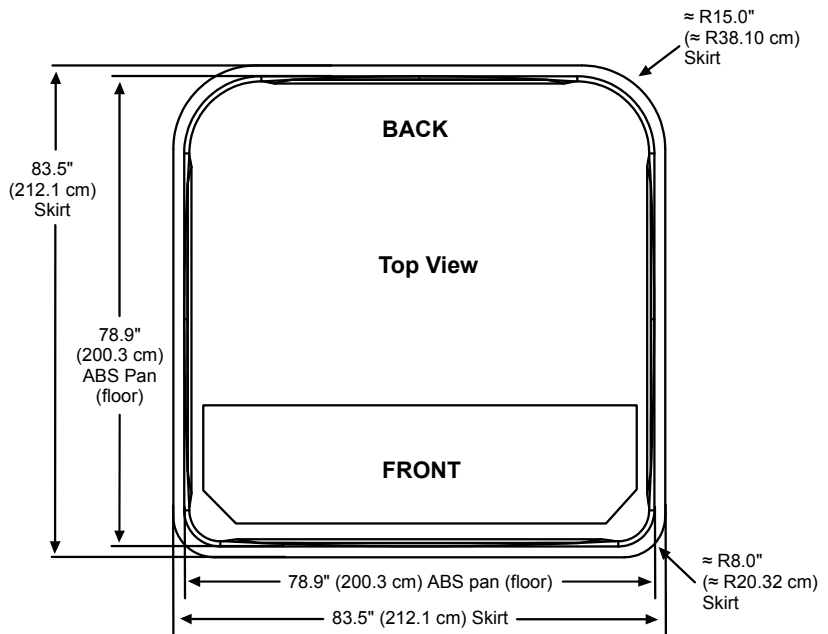


Important Panel Details

NOTE: Over time the panel(s) may bow, this is considered normal. The panels will straighten out when reinstalled into the mounting channel. Place one end of the panel into the channel first then flatten the panel and insert the other end.



IMPORTANT! Always measure each hot tub for exact dimensions BEFORE designing its foundational support and/or decking.



Dimensions/specifications subject to change without notice. Tolerance $\pm 0.5"$ (1.27 cm)