

Jacuzzi J-435

Specifications

| | |
|------------------------------------|---|
| Seating Capacity..... | 5-6 Adults |
| Dimensions | 84" x 84" x 37.5" Front/43.5" Back, (213.5 cm x 213.5 cm x 95.25 cm Front/110.5 cm Back); For Complete Dimensions, See page 79 |
| Perimeter | 336 in. (853.4 cm) |
| Dry Weight..... | 822 lbs (373 kg) |
| Filled Weight (Average Fill)..... | 3,824 lbs (1,735 kg) |
| Water Capacity (Average Fill)..... | 360 US gallons (1,363 Liters) |
| Filled Weight (Spa Volume) | 4,492 lbs (2,037 kg) |
| Water Capacity (Spa Volume)..... | 440 US gallons (1,666 Liters) |
| Electronic Controls | ProTouch™ 2 LCD control panel, user interface displays temperature, time, cycles and fingertip jet control. Offers customizing of pre-programmed filtration cycles, heating modes and water temperature setting. |
| Pump 1..... | North America (60 Hz): 1-Speed, 5.1 HP break, 2.5 HP continuous, 56 Frame |
| Export (50 Hz): | 1-Speed, 2.0 HP continuous |
| Pump 2..... | North America (60 Hz): 1-Speed, 5.1 HP break, 2.5 HP continuous, 56 Frame |
| Export (50 Hz): | 1-Speed, 2.0 HP continuous |
| Circulation Pump..... | Yes, 8-Hour |
| Total PowerPro® Jets..... | 45 (plus 2 IR Light Therapy) |
| Seat A Jets | 3 PowerPro® FX |
| Seat B Jets | 2 PowerPro® NX2, 6 PowerPro® RX, 2 PowerPro® PX, 6 PowerPro® FX Small, 2 PowerPro® FX Rotational |
| Seat C Jets | 1 PowerPro® FX Large Rotational |
| Seat D Jets | 2 PowerPro® NX2, 4 PowerPro® FX Rotational, 6 PowerPro® FX |
| Seat E Jets | 2 PowerPro® RX |
| Seat F Jets..... | 2 PowerPro® NX2, 3 PowerPro® MX, 2 PowerPro® FX Rotational |
| Footwell (G)..... | 4 PowerPro® FX Small |
| Massage Selectors | 2 |
| Air Controls..... | 3, On/Off rocker switch air controller |
| Water Management System..... | One ProClarity® 40 ft ³ filter cartridge and 1 ProClarity® depth load filter on 8-hour circulation pump; one ProCatch® bag with ProClear® 60 ft ³ filter; Floating Weir; Factory installed CLEARARRAY Active Oxygen™ Clean Water System |
| Export (50 Hz): | Factory installed CLEARARRAY Active Oxygen™ Clean Water System |
| LED Lighting | One waterfall with light, one underwater light, cupholder, massage selector lights, indicator light, and exterior lights (standard) |
| ProFinish™ Cabinet Colors..... | Modern Hardwood, Brushed Gray, and Smoked Ebony |
| Acrylic Colors | Platinum, Silver Pearl, Monaco, Midnight, Porcelain |
| Headrests | 3 |
| Waterfall | One with Independent flow rate (on or off) adjustment; powered by 8-hour circulation pump |
| Heater:..... | North America (60 Hz): 5.5 kW, High Flow |
| Export (50 Hz): | High Flow, 2.7 kW |
| Electrical Requirements: | North America (60 Hz): 240 VAC@40A, 50A, or 60A Export (50 Hz): 220-240 VAC@ 1x32A, 1x20A/1x16A, or 3x16A or suitably rated circuit breaker to comply with local electrical codes. Certain countries may require dual power inputs; two GFCI RCD breakers are required for this configuration. |
| Warranty*..... | North America (60 Hz): 10 Years Shell, 7 Years Shell Surface, 5 Years Plumbing Component Leaks, 5 Years Equipment and Controls, 5 Years Cabinet, 2 Years Jets, 2 Years Lights, 1 Year Stereo Export (50 Hz): 10 Years Shell, 7 Years Shell Surface, 5 Years Plumbing Component Leaks, 5 Years Equipment and Controls, 5 Years Cabinet, 2 Years Jets, 2 Years Lights, 2 Years Stereo |
| Special Features (Optional)..... | SmartTub® Module |
| Audio System (Optional)..... | BLUEWAVE® Spa Stereo System with Bluetooth capability and Aux 3.5 mm headphone jack port; 4 premium speakers, a powered subwoofer |

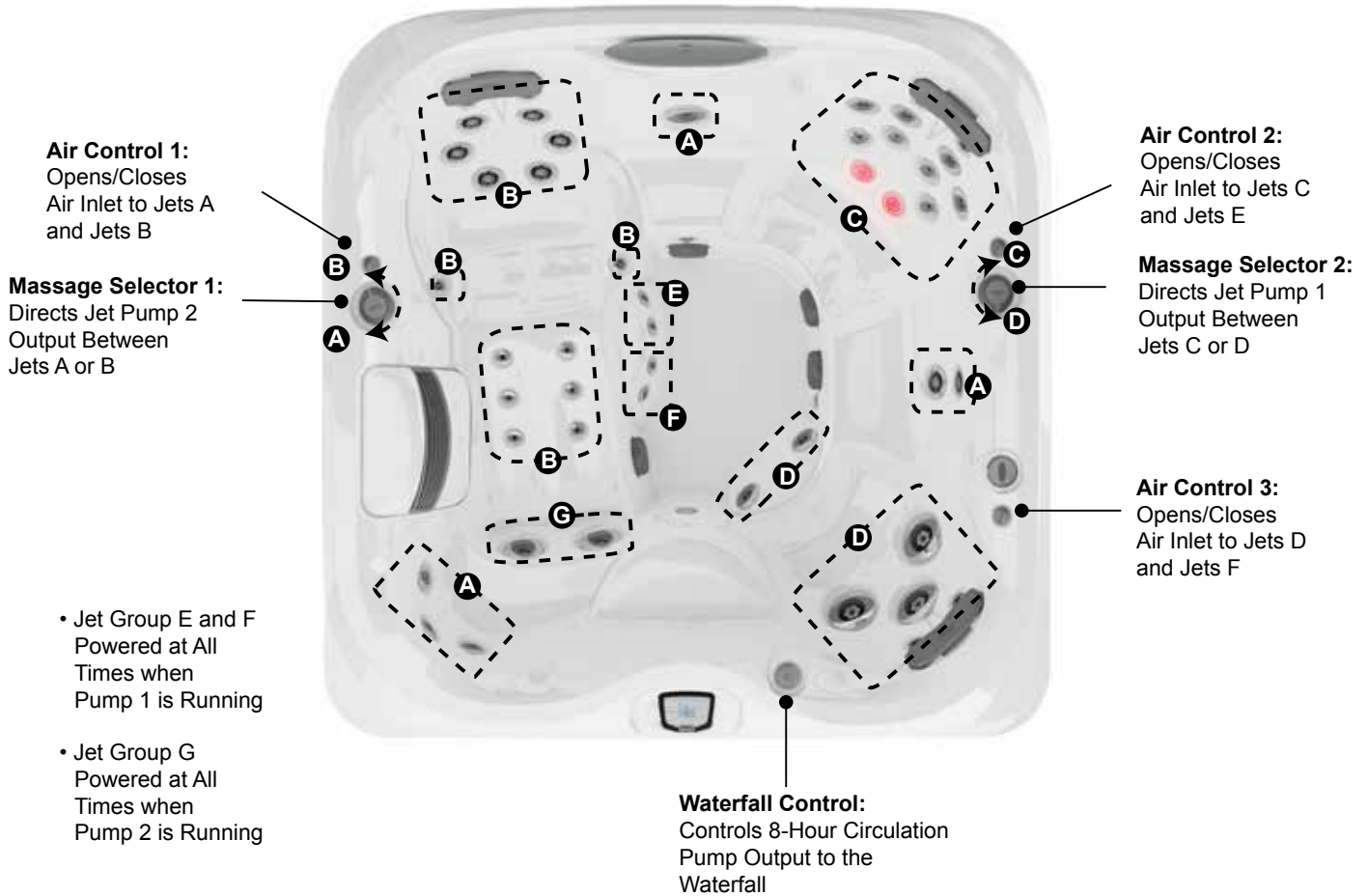


*(See Warranty Document for Specific Details)

Dimensions/Specifications are Subject to Change Without Notice

Jacuzzi J-435

Operation/Seat Depths



45 Total Jets (plus 2 IR Light Therapy)

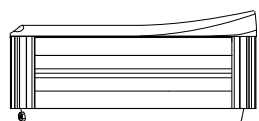


Spa Operation Subject to Change without Notice

Seat Depths

- A = 17.75" (45.09 cm)**
- B = 27.75" (70.49 cm)**
- C = 29.00" (73.66 cm)**
- D = 23.00" (58.42 cm)**
- E = 30.00" (76.20 cm)**
- F = 23.50" (59.69 cm)**

- G = 25.50" (64.77 cm)**
- H = 33.50" (85.09 cm)**
- I = 20.50" (52.07 cm)**



Front Back

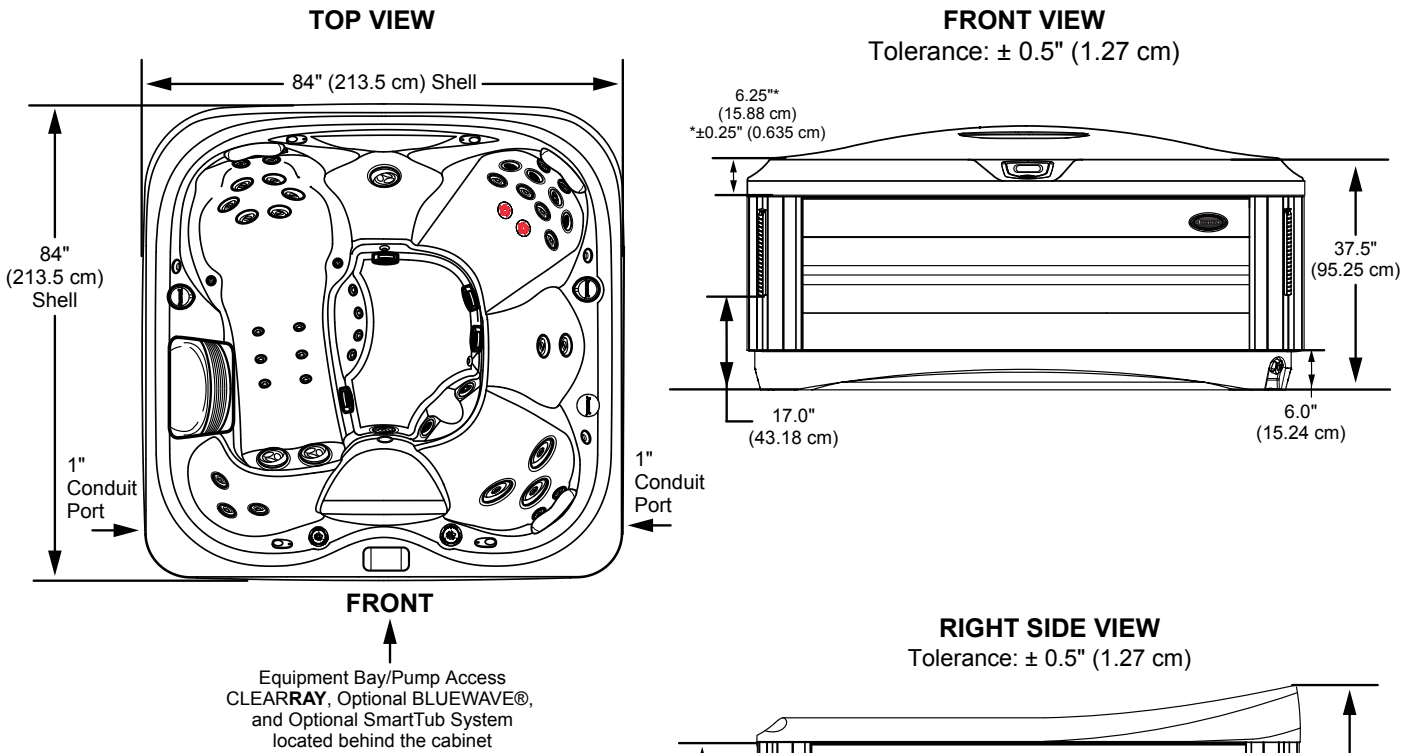
Listed dimensions represent distance from top of acrylic to lowest point in seat. Tolerance $\pm 0.5"$ (1.27 cm).



Dimensions/Specifications are Subject to Change Without Notice

Jacuzzi J-435

Dimensions

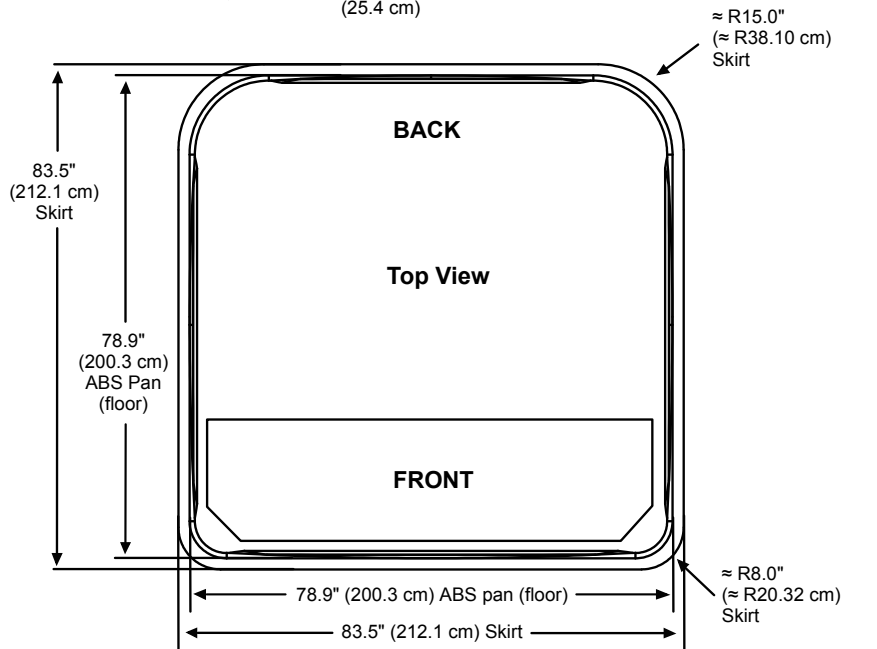


Important Panel Details

NOTE: Over time the panel(s) may bow, this is considered normal. The panels will straighten out when reinstalled into the mounting channel. Place one end of the panel into the channel first then flatten the panel and insert the other end.



IMPORTANT! Always measure each hot tub for exact dimensions BEFORE designing its foundational support and/or decking.



Dimensions/specifications subject to change without notice. Tolerance $\pm 0.5"$ (1.27 cm)